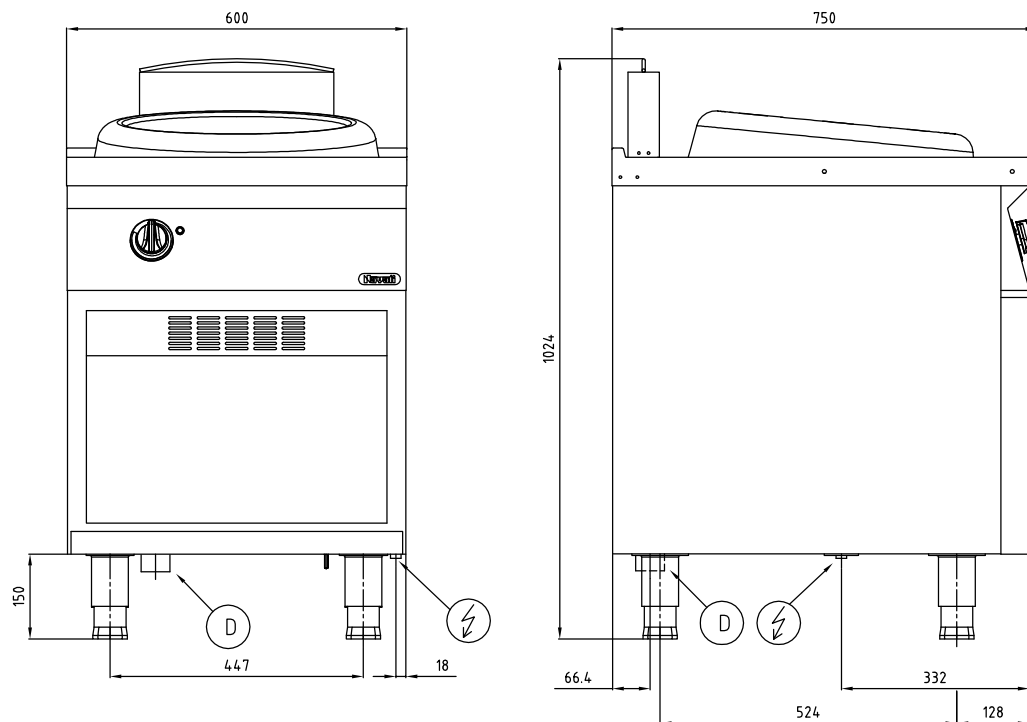
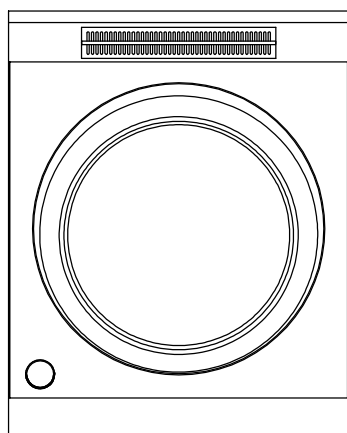


Item :



Technical Specification	
Model	NEWI 6-75 S08D MR Nayati Electric Wok Induction
Overall dimension (mm)	Width=800 Depth=750 Height=850/1024
Electric power	8kW 400V 3N 50/60Hz



⚡ Electric Connection
 D Drainage 2"

N.O.s	Material	Dimension	NK Code	
Time :				
Process :				
Project : BDS	Drawn : Andhi	Date: 10/08/2018		
Division: Cooking	Checked: Dubi	Date: 10/08/2018		
Product : NEWI 6-75 S08D MR	Rev. Nr.:	Date:		
PT. NAYATI INDONESIA		NEWI 6-75 S08D MR		Scale :
Jl. Raya Terboyo Megah 19 Kawasan Industri Terboyo Megah Semarang 50112		Weight : Kg.	Qty. : ____	Drwg. Nr. :